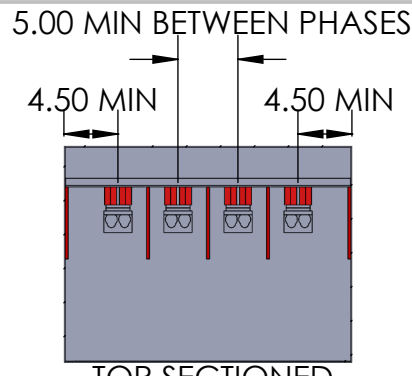
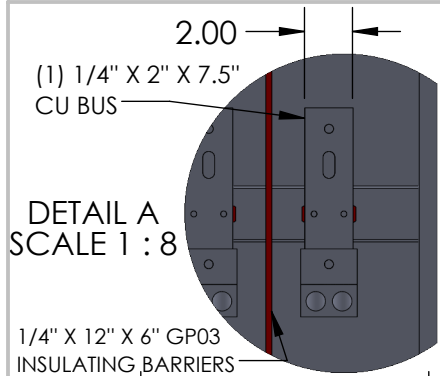


2

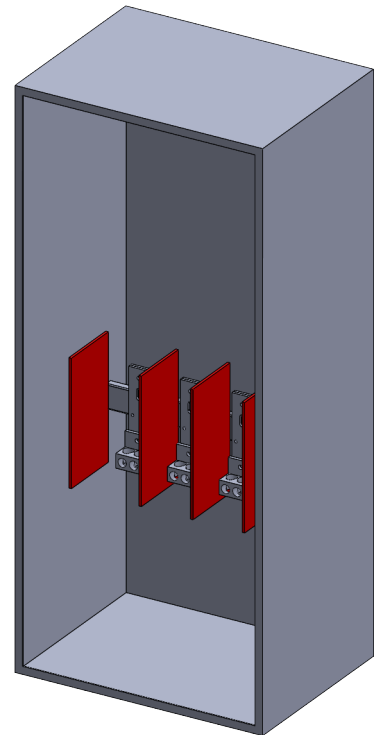
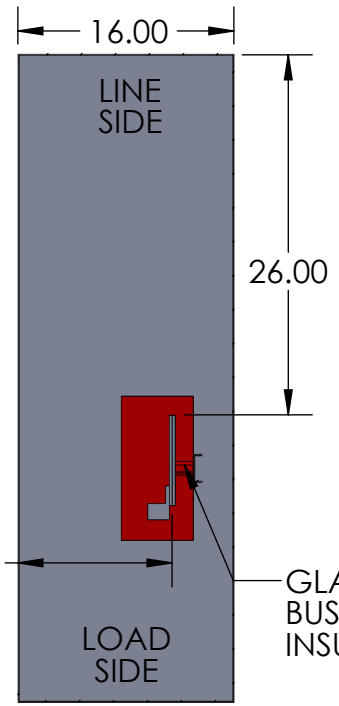
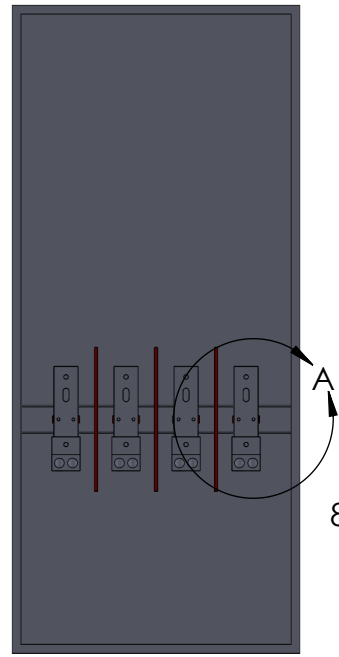
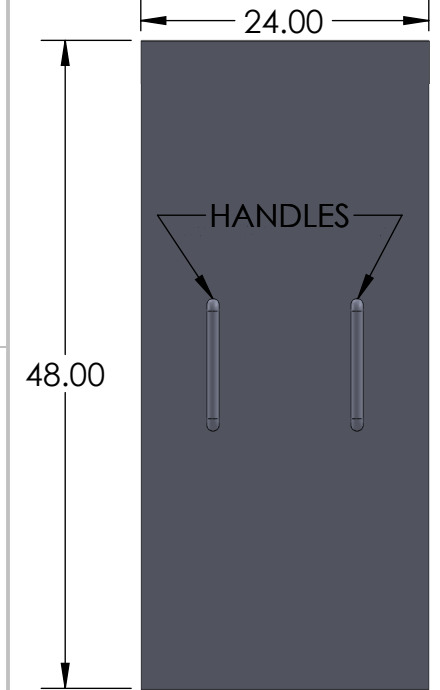
1



- NOTES:
1. BOX AND COVER CONSTRUCTION - GALV STEEL (12GA)
FINISH: POWDER COAT GRAY ENAMEL
 2. BUS BARS - COPPER 98% CONDUCTIVITY
 3. BOX SHALL HAVE NAMEPLATE WITH MANUFACTURER'S NAME
 4. FRONT COVER SHALL BE SEALABLE WITH (2) HANDLES
 5. LINE SIDE: PROVISION FOR (1) 600 MCM - LUGS NOT INCLUDED
 6. LOAD SIDE : MOUNT UP TO (2) 600 MCM - MECHANICAL LUGS INCLUDED
 7. NEMA 3R CONSTRUCTION INCLUDES SEAM WELDED BODY, OUTSIDE MOUNTING TABS ON ALL FOUR CORNERS, GASKETED COVERS
 8. "120/208v" BLACK LABEL WITH WHITE LETTERING LOCATION ON INSIDE AND OUTSIDE OF THE ENCLOSURE
 9. FOR 120/208V SERVICE ONLY
FOR 277/480V SERVICE SEE 348210-72-N3R OR 348211-96-N3R

B

B



A

A

	NAME	DATE
DRAWN BY	N. BOSETTI	12/30/2025
APPROVED BY		

PROPRIETARY AND CONFIDENTIAL
THE INFORMATION CONTAINED IN THIS DRAWING IS THE SOLE PROPERTY OF Nav-Tech Inc. ANY REPRODUCTION IN PART OR AS A WHOLE WITHOUT THE WRITTEN PERMISSION OF Nav-Tech Inc. IS PROHIBITED.



155 MARCUS BLVD
HAUPPAUGE, NEW YORK 11788
PH: (718) 257-2111 FAX: (718) 257-2626

UNLESS OTHERWISE SPECIFIED:
TOLERANCE:
FRACTIONAL ±1/64 ANGULAR: MACH ± 30"
BEND ± 1°
0.00" = ± 0.01"
0.000" = ± 0.005"
DIMENSIONS IN INCHES [SECONDARY IN MM]

MATL:	12 GA GALV
FINISH:	POWDER COAT GRAY
WEIGHT:	
UNLESS OTHERWISE SPECIFIED	
1. REMOVE ALL BURRS AND BREAK ALL SHARP EDGES .015 X 45° OR .015R	
2. DIMENSIONAL LIMITS APPLY AFTER PLATING	
3. 125/	MACHINED SURFACES EXCEPT AS NOTED

DRAWING TITLE:	EO-48-N3R CUT SHEET			
PART #:	NAV-EO-48-9525B-N3R			
DESCRIPTION:	NEMA 3R SERVICE BOX 120/208V SERVICE UP TO 1 SET LINE SIDE SPECIFIED TO CON ED EO-9525-B			
DO NOT SCALE DRAWING	SCALE: 1:16	SIZE	A	SHEET
			1 OF 1	REV. 7

2

1